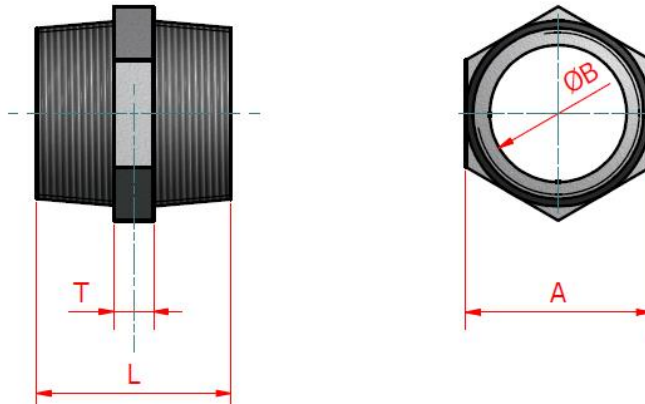


# MILD STEEL SCREWED PIPE FITTINGS

## BS EN 10241



**Equal hex nipple**



Nominal bore		Overall length dim. A	Diameter of bore dim. B		Overall length dim. L	Thickness of hexagon dim. T	Weight each
Metric	Imperial		mm	Min. mm			
6mm	1/8"	25	4.5	6.0	25	6	0.03
8mm	1/4"	31	6,5	8,0	31	6	0.04
10mm	3/8"	33	8,5	10,5	33	8	0.07
15mm	1/2"	43	11,5	13,0	43	8	0.10
20mm	3/4"	48	18,0	21,0	48	10	0.17
25mm	1"	52	24,0	26,0	52	10	0.30
32mm	1 1/4"	59	30,0	32,0	59	11	0.41
40mm	1 1/2"	61	37,0	39,0	61	13	0.61
50mm	2"	68	48,0	51,0	68	14	0.61
65mm	2 1/2"	80	62,0	66,0	80	16	1.16
80mm	3"	89	75,0	79,0	89	19	1.44
100mm	4"	102	97,0	104,0	102	22	3.91
125mm	5"	115	121,0	128,0	115	25	7.50
150mm	6"	115	145,0	152,0	115	25	9.00